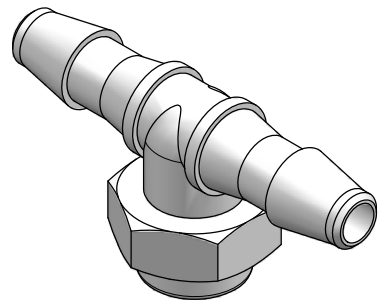
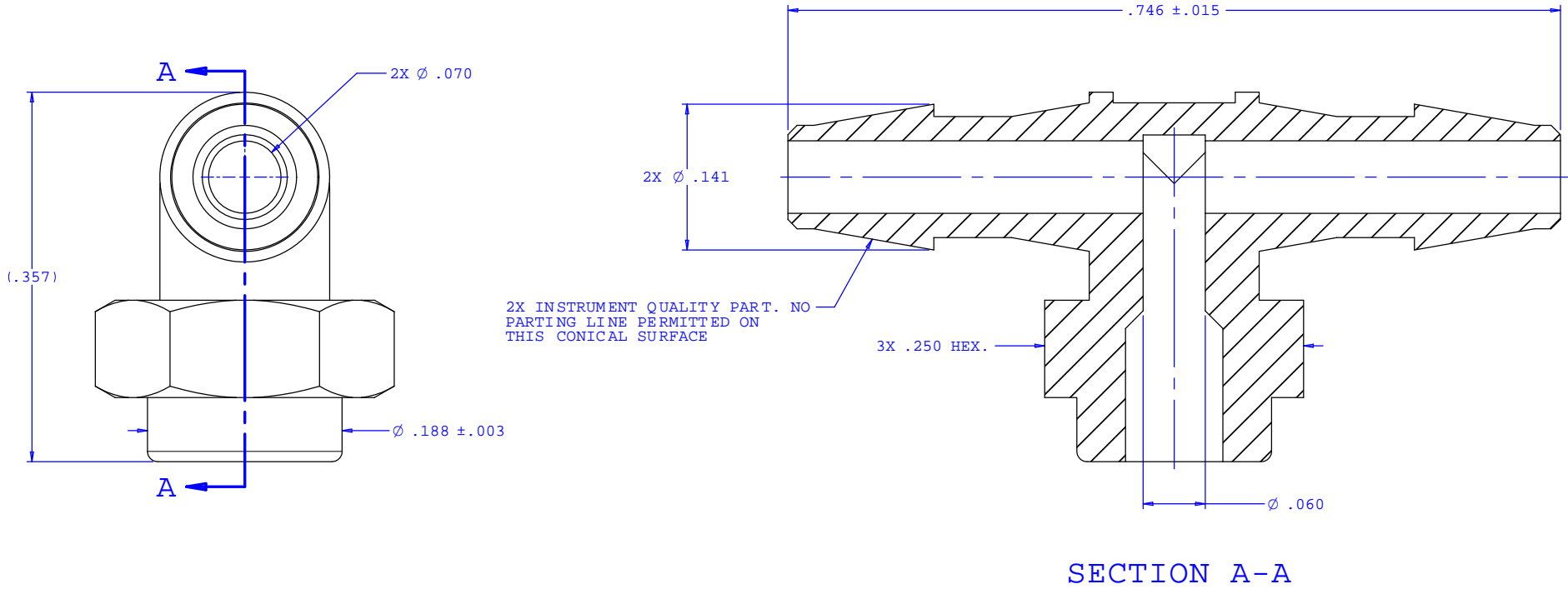


NOTE: FOR MORE DETAILS SEE YOUR V.P. CUSTOMER SERVICE REP.

REVISIONS			
REV.	DESCRIPTION	DATE	APPROVED
A	INITIAL RELEASE	12-04-97	
B	CO 046 Drafting Update	11-30-07	Rick C.



UNLESS OTHERWISE SPECIFIED DIMENSIONS ARE IN INCHES TOLERANCES ARE:		VALUE PLASTICS, INC.	
FRACTIONS ±	DECIMALS .XX ±.01 .XXX ±.005 .XXXX ±.001	ANGULAR ±1°	PART NUMBER: BDMT2 20
DO NOT SCALE DRAWING		DESCRIPTION: Bondable Tee 200 Series Barb, 3/32" (2.25 mm) ID Tubing	
DRAWN BY: Frank Lombardi	DATE: 05-08-06	SIZE: B SCALE: NTS	DRAWING NUMBER: 1008784 REV. B
Engineer/Manager: Rick Cairns		© 2006 VALUE PLASTICS, INC. SHEET: 1 OF 1	

FOR REFERENCE ONLY